

PROJECT:

LOCATION:

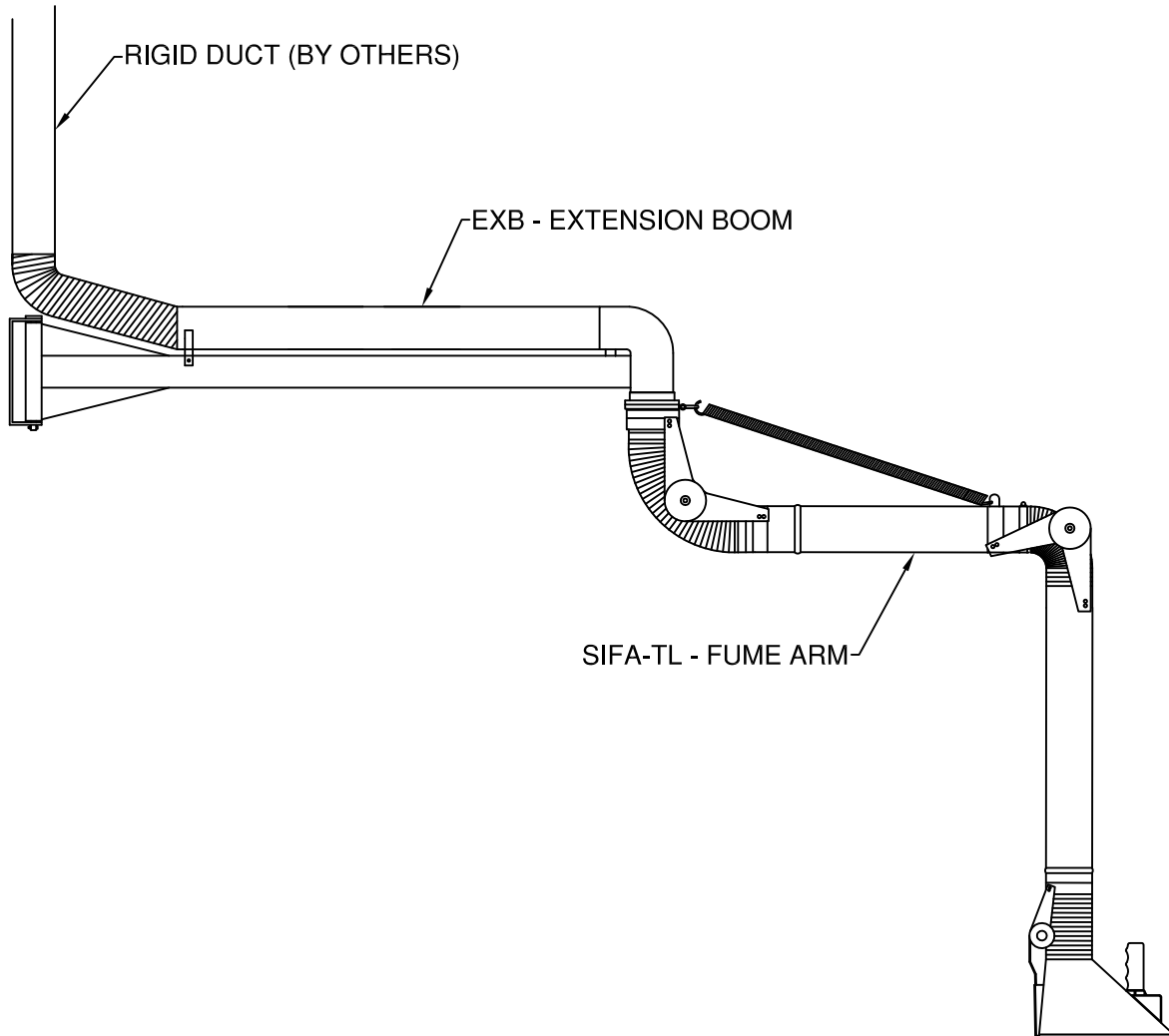
ENGINEER:

SALES ENGINEER:

ARCHITECT:

CONTRACTOR:

DATE:



NOTES

SEE INDIVIDUAL SUBMITTAL DRAWINGS FOR ADDITIONAL INFORMATION.

PROJECT:

LOCATION:

ENGINEER:

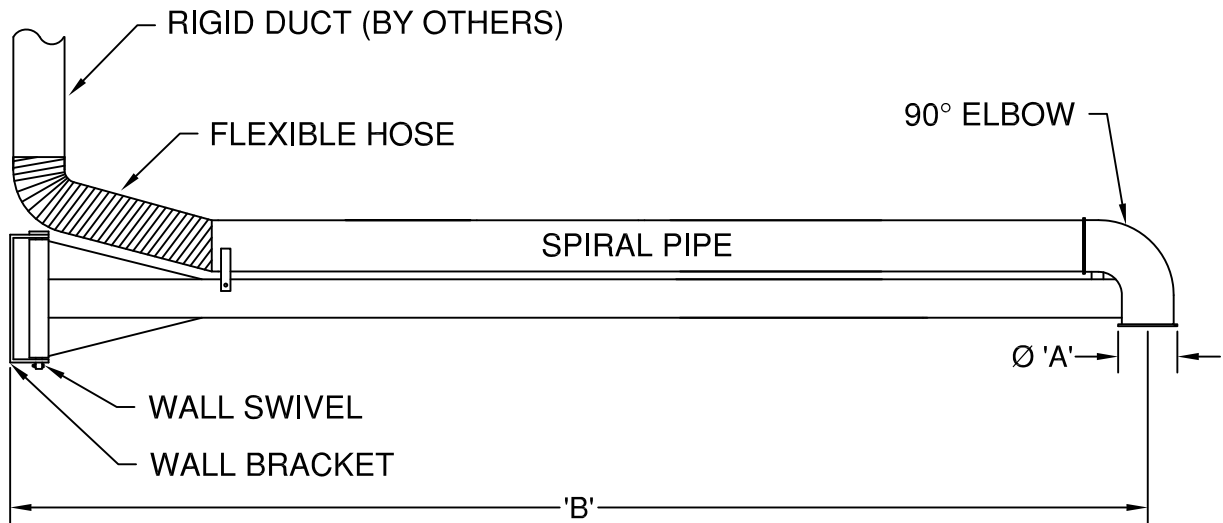
SALES ENGINEER:

ARCHITECT:

CONTRACTOR:

DATE:

MODEL	'A'	'B'
EXB6050	6"	5'
EXB8050	8"	5'
EXB10050	10"	5'
EXB6100	6"	10'
EXB8100	8"	10'
EXB10100	10"	10'



SCHEDULE

ITEM	QTY	MODEL	REFERENCE

NOTES:

- WALL MOUNT BRACKET - 1/2" STEEL WITH BLUE POWDER COATED POLYESTER FINISH.
- HORIZONTAL BEAMS - 4" x 2" x 3/16" RECTANGULAR STEEL TUBING WITH BLUE POWDER COATED POLYESTER FINISH.
- WALL SWIVEL RANGE - 180° (+/-)
- SWIVEL PINS - 1" DIAMETER STEEL.
- SPIRAL PIPE - 24 GAUGE GALVANIZED STEEL.
- FLEXIBLE HOSE - MODEL HSG FOR VEHICLE EXHAUST. NG FOR WELDING EXHAUST.
- CONSULT FACTORY FOR ALTERNATE DIAMETERS AND/OR LENGTHS.

PROJECT:

LOCATION:

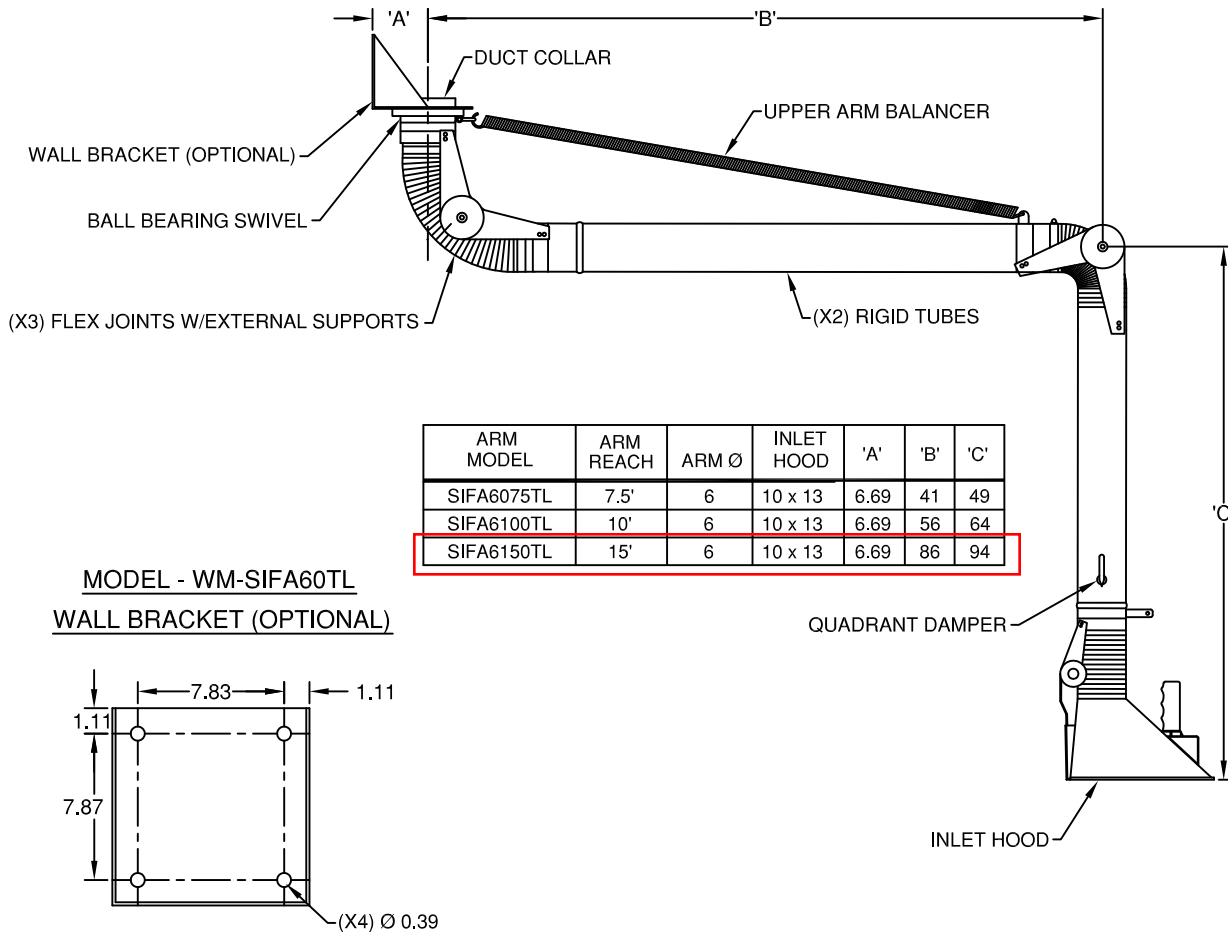
ENGINEER:

SALES ENGINEER:

ARCHITECT:

CONTRACTOR:

DATE:



SCHEDULE

ITEM	QTY.	MODEL	REFERENCE

NOTES:

- ALL DIMENSIONS ARE IN INCHES UNLESS OTHERWISE NOTED.
- RIGID TUBES - SMOOTH BORE POWDER COATED STEEL.
- EXTERNAL SUPPORTS - CAST ALUMINUM.
- INLET HOOD - NONCONDUCTIVE POLYCARBONATE.
- FLEXIBLE TUBING - PVC COATED POLYESTER.
- QUADRANT DAMPER - POLYCARBONATE.
- BALL BEARING SWIVEL - 360° ROTATION.
- 200° F. MAXIMUM OPERATING TEMPERATURE.
- WALL BRACKET - CONTINUOUSLY WELDED, 11 GA. PAINTED STEEL.
- CONSULT FACTORY FOR ALTERNATE CONSTRUCTIONS.

PROJECT:

LOCATION:

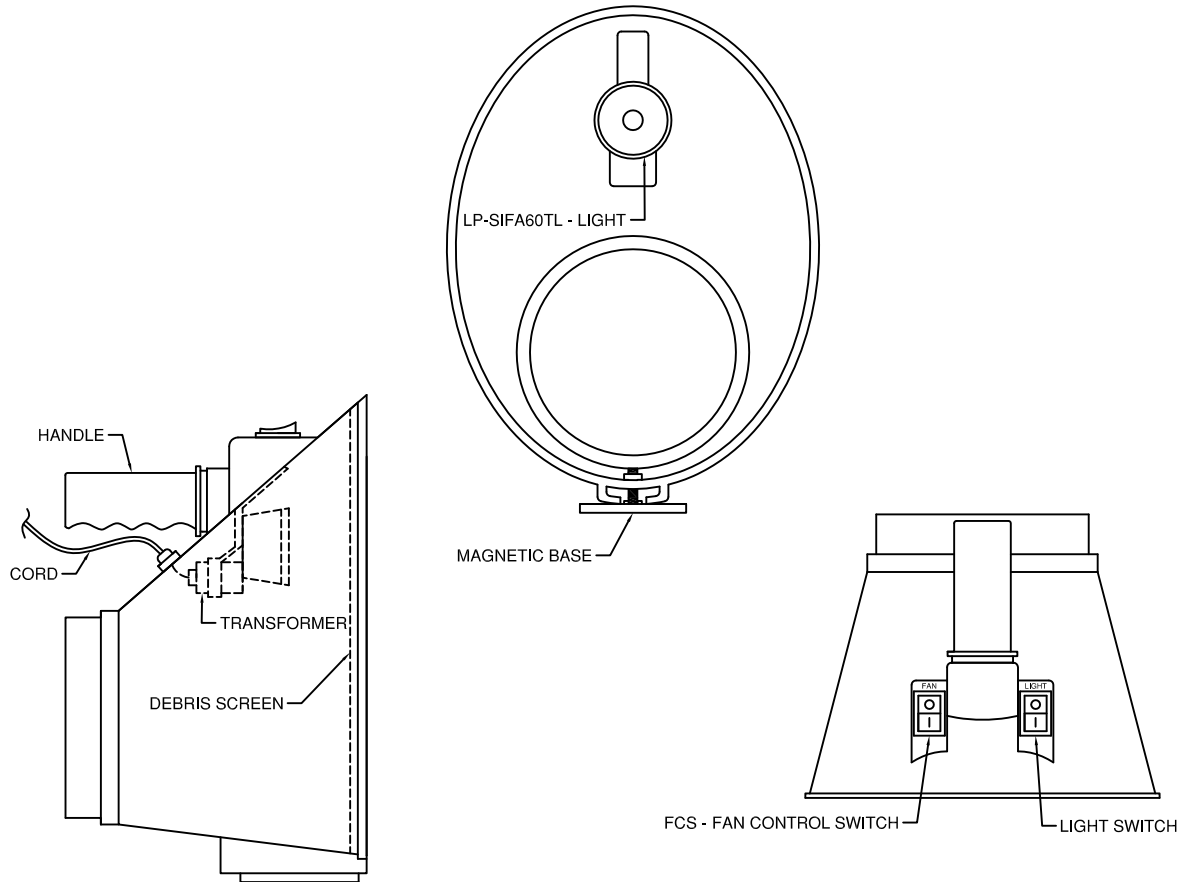
ENGINEER:

SALES ENGINEER:

ARCHITECT:

CONTRACTOR:

DATE:



SCHEDULE

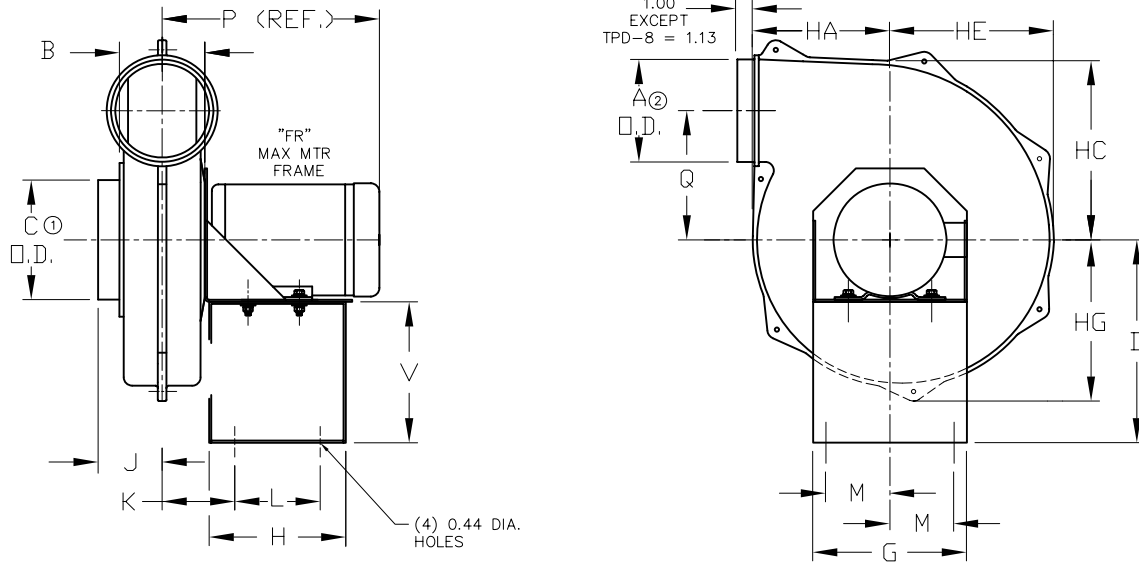
ITEM	QTY	MODEL	REFERENCE

NOTES:

WIRING BY OTHERS.
 ROCKER TYPE, ON/OFF SWITCH
 HALOGEN LIGHT: 50w, 12 vac
 TRANSFORMER: 115/1/60 TO 12/1/60
 15-1/2' CORD

PROJECT:

LOCATION:	ENGINEER:	SALES ENGINEER:
ARCHITECT:	CONTRACTOR:	DATE:



HOUSING SIZE	A*	B	C*	D	FR	G	H	HA	HC	HE	HG	J	K	L	M	P	Q	HOUSING SIZE
TPD-8	4.00	3.75	4.00	8.56	56	7.00	7.13	5.75	6.50	5.56	4.88	2.88	3.19	5.00	2.75	13.44	4.13	TPD-8
TPD-9	4.00	4.13	5.00	10.44	56	7.00	7.88	7.25	7.88	7.50	6.63	3.13	3.38	5.75	2.75	14.56	5.63	TPD-9
				11.88	143T-145T	9.00	8.00						4.19	5.00	3.75	14.06		
TPD-10	5.00	4.25	6.00	10.44	56	7.00	7.88	7.88	8.94	9.44	7.81	3.38	3.44	5.75	2.75	14.63	6.56	TPD-10
				11.88	143T-145T	9.00	8.00						4.25	5.00	3.75	14.13		
TPD-12	6.00	5.00	7.00	11.88	56	9.00	8.00	8.88	11.00	9.63	9.44	3.75	4.25	5.00	3.75	15.00	7.56	TPD-12
					143T-145T	9.00	8.00						4.63	5.00	3.75	14.50		
					182T-184T	12.00	11.75						5.00	8.75	4.94	15.00		
TPD-14	6.00	6.00	7.00	15.19	56	12.00	11.75	9.56	11.31	10.25	10.25	4.25	5.50	8.75	4.94	15.50	8.06	TPD-14
					143T-145T											15.00		
					182T-184T											15.50		
TPD-15	8.00	7.25	8.00	15.19	182T-184T	12.00	11.75	10.81	12.81	11.38	10.81	4.88	6.13	8.75	4.94	19.13	7.88	TPD-15
					213T-215T											19.63		
					254T-256T											16.50		
TPD-18	6.00	6.25	8.00	15.19	182T-184T	12.00	11.75	11.44	13.75	12.69	11.38	4.38	5.63	8.75	4.94	18.63	10.50	TPD-18
					213T-215T											19.13		
					254T-256T											16.50		

SCHEDULE

ITEM	QTY	MODEL	PERFORMANCE	ELECTRICAL	HP	REFERENCE

NOTES

- ALL DIMENSIONS IN INCHES
- CCW SHOWN, CW SIMILAR BUT OPPOSITE.
- SEE DWG#AC1001220 FOR INLET FLANGE AND OPTIONAL OUTLET FLANGE DIMS.
- ALL DIMENSIONS IN INCHES
- *NOMINAL INLET AND OUTLET DIAMETER.
- ① TPD-14 ALSO AVAILABLE WITH 6" AND 8" INLETS, TPD-15 AND TPD-18 ALSO AVAILABLE WITH 6" AND 10" INLETS
- ② ALL MODELS, DISCHARGE FLANGE NOT AVAILABLE FOR DOWN BLAST POSITION.